



Reasonable Price and Guaranteed Quality

DONGNAM GAUGE

 **DONGNAM GAUGE COMPANY**

47-14, JANGIN-RO 37BEON-GIL, SASANG-GU, BUSAN 47028

SOUTH KOREA

Tel. 82-51-315-8400

E-mail. dnks8400@hanmail.net

<http://www.bsdn.co.kr>

 **DONGNAM GAUGE COMPANY**

About Company

Founded in 1991, Dongnam Gauge boasts of a 30-year history as a specialized enterprise for gauges, engine control panels, and other electrical and electronic components. We have specialized experience as a defense supplier, and we supply components such as gauges and switches to the Republic of Korea Army. Dongnam's technologies are widely recognized in Republic of Korea, proven by our several defense product certifications and patents for ship-steering equipment. Dongnam offers more reasonable price options for engine control panels and components, particularly with ocean vessels. The company's prices are competitive against the more expensive products from the United States and Europe.



Customers

한아에스에스(주) HAN'A SS CO.,LTD	(주)한서정공 HANSEO PRECISION INDUSTRY CO.,LTD	중외 한성티앤아이 HANSUNG T & I CO., LTD.	HYUNDAI CONSTRUCTION EQUIPMENT
HAN'A SS CO.,LTD	HANSEO PRECISION INDUSTRY CO.,LTD	HANSUNG T & I CO., LTD	HYUNDAI CONSTRUCTION EQUIPMENT
D-I INDUSTRIAL CO.,LTD.	KANGLIM	RETECH	Defense Acquisition Program Administration
D-I INDUSTRIAL CO.,LTD	KANGLIM	RETECH	DEFENSE ACQUISITION PROGRAM ADMINISTRATION (SOUTH KOREA)
육군 군수사령부 ARMY LOGISTICS COMMAND	SAMYUNG ENC		
ARMY LOGISTICS COMMAND(SOUTH KOREA)	SAMYUNG ENC		

ENGINE CONTROL GAUGE BOX

The engine control box offers in various design types to suit the needs of customers. Various gauges are used for monitoring the engine's status, the control switches, and the automatic/manual danger alarm functions that are integrated into the panel. The panel comes in 12 V and 24 V to meet various power requirements.



ECGB-001

DIAMETER	W365xH240xD170
FEATURES	MANUAL ENGINE STOP (ALARM ON)
CONNECTIONS	CONNECTOR or TERMINAL TYPE
SOURCE	DC12 or 24V
COMPONENTS	5 GAUGES (RPM, OIL, TEMP, VOLT, HOUR)



ECGB-003

DIAMETER	W220xH195xD130
FEATURES	MANUAL ENGINE STOP (ALARM ON)
CONNECTIONS	CONNECTOR or TERMINAL TYPE
SOURCE	DC12 or 24V
COMPONENTS	3 GAUGES(RPM, OIL, TEMP)



ECGB-005

DIAMETER	W295xH160xD115
FEATURES	AUTOMATIC ENGINE STOP CONTROL
CONNECTIONS	CONNECTOR or TERMINAL TYPE
SOURCE	DC12 or 24V
COMPONENTS	4 GAUGES(RPM, OIL, TEMP, VOLT)



ECGB-006

DIAMETER	W260xH170xD110
FEATURES	AUTOMATIC ENGINE STOP CONTROL
CONNECTIONS	CONNECTOR or TERMINAL TYPE
SOURCE	DC12 or 24V
COMPONENTS	3 GAUGES(OIL, TEMP, VOLT)

RPM GAUGE PRODUCTS



DNR-102HD / 102DW / 102GE

DIAMETER	DIA Ø80 or Ø85
FEATURES	Digital Hour-meter, EMBEDDED LED LAMP
PULSE	1~3P / 10~20P / 100~200P CUSTOMIZED
POWER	DC12 or 24V
RANGE	3000/3500/4000 RPM CUSTOMIZED



DNR-103HD / 103DW / 103GE

DIAMETER	DIA Ø80 or Ø85
FEATURES	EMBEDDED LED LAMP
PULSE	1~3P / 10~20P / 100~200P CUSTOMIZED
POWER	DC12 or 24V
RANGE	3000/3500/4000 RPM CUSTOMIZED

PICK-UP TYPE



DNRS-01

THREAD	01A-58 / UNF5/8-18 x 80mm 01A-34 / UNF3/4-16 x 80mm 01B-50 / M16xP1.5x50mm 01B-70 / M16xP1.5x70mm
MATERIAL	01A / SUS 01B / BRASS(Ni Plated)

DRIVE TYPE



DNRS-01C

THREAD	M20x1.5P(Drive Type)
MATERIAL	BRASS

WATER TEMPERATURE PRODUCTS



DNC-301B

RANGE	50~120°C
DIAMETER	DIA Ø52
POWER	DC12 or 24V
FEATURES	EMBEDDED LAMP



DND-109B

RANGE	50~120°C
DIAMETER	DIA Ø52
POWER	DC12 or 24V

COLOR



DNC-501

RANGE	50~120°C
DIAMETER	DIA Ø52
POWER	DC12 or 24V
FEATURES	EMBEDDED LAMP

MECHANICAL



DNE-401

RANGE	50~120°C
DIAMETER	DIA Ø52
POWER	MECHANICAL
THREAD	M16x1.5P
FEATURES:	CABLE LENGTH BY ORDER (1.5~10M)

SENSOR



DNSW-45 / 45-12

RANGE	50°C(153.9Ω) ~120°C(16.1Ω)
THREAD	-M16xP1.5 -NPTF1/2-14

SWITCH



DNSW-46

RANGE	Working at 105°C
THREAD	M16xP1.5

OIL PRESSURE PRODUCTS



DNC-302A

RANGE	0~10kg/cm ²
DIAMETER	DIA Ø52
POWER	DC12 or 24V
FEATURES	EMBEDDED LAMP

COLOR



DNC-502

RANGE	0~10kg/cm ²
DIAMETER	DIA Ø52
POWER	DC12 or 24V
FEATURES	EMBEDDED LAMP

MECHANICAL



DNE-806

RANGE	0~10kg/cm ²
DIAMETER	DIA Ø52
POWER	bourdon type
THREAD	M11xP1.25

SENSOR



DNSW-43

RANGE	0~10kg/cm ²
THREAD	NPTF1/8-27 or PT1/8-28
SPECIFICATIONS	1pole 2pole,E/G (INSULATE RETURN) 2pole,W/G (SENSOR+SWITCH)

SENSOR



DNSW-41

RANGE	FOR OLD TYPE GAUGE (8kg/cm ²)
-------	---

SWITCH



DNSW-44

RANGE	Working at 0.7kg/cm ²
THREAD	PT1/8-28
SPECIFICATIONS	Oil Press. Low Alarm Switch

FUEL LEVEL PRODUCTS



DNC-303A

RANGE	E to F(4/4)
DIAMETER	DIA Ø52
POWER	DC12 or 24V
FEATURES	EMBEDDED LAMP



DND-108B

RANGE	E to F(4/4)
DIAMETER	DIA Ø52
POWER	DC12 or 24V

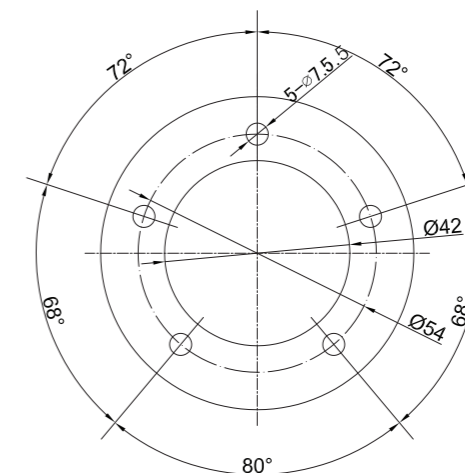
TUBE TYPE



DNSW-24

RANGE	E(110Ω) to F(3Ω)
DIAMETER	LENGTH BY ORDER
FEATURES	PIPE TYPE

MOUNTING HOLE DIMENSIONS



FLOAT ARM TYPE



DNSW-23

RANGE	E(110Ω) to F(3Ω)
DIAMETER	180~600mm
FEATURES	FLOAT ARM TYPE

RUDER ANGLE PRODUCTS



DNRP-104

RANGE PORT/STB'D ±45

DIAMETER PANEL SIZE 180 x 120 mm

POWER DC12V or 24V

FEATURES LED LAMP



DNR-104

DIAMETER DIA Ø85

POWER DC12V or 24V

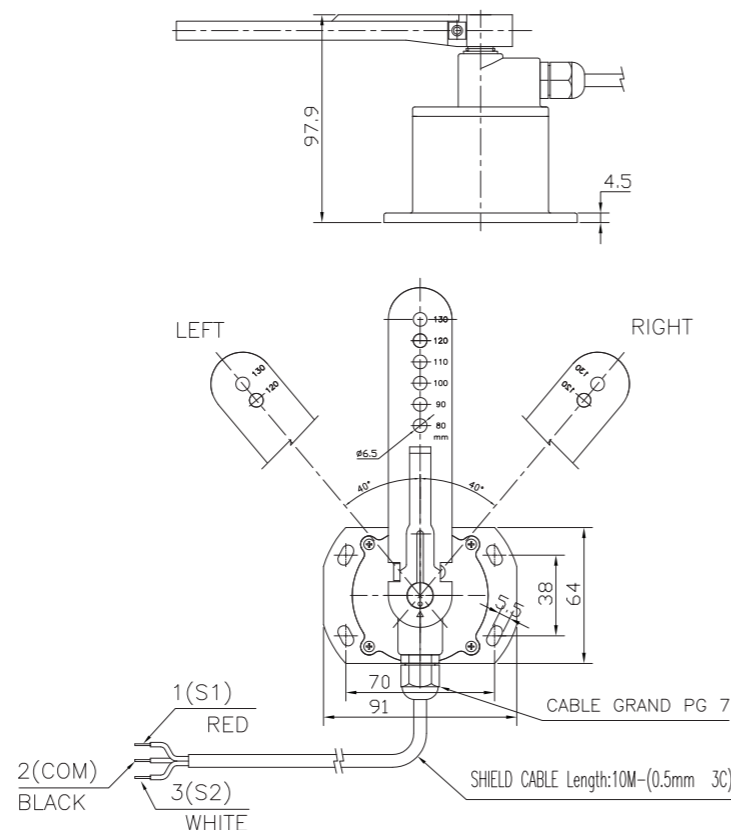
FEATURES LED LAMP



DNSW-110

RANGE Potentiometer 360°

FEATURES 10M Harness Supplied



VOLTAGE AND AMPERE GAUGE

■ COLOR



DNC-303B

RANGE 10 to 16V / 20 to 32V

DIAMETER DIA Ø52

POWER DC12 or 24V

FEATURES EMBEDDED LAMP



DNC-503

RANGE 10 to 16V / 20 to 32V

DIAMETER DIA Ø52

POWER DC12 or 24V

FEATURES EMBEDDED LAMP

■ OLD



DND-103B

RANGE 10 to 16V / 20 to 32V

DIAMETER DIA Ø52

POWER DC12 or 24V

■ AMPERE



DNC-303C

RANGE ±50A

DIAMETER DIA Ø52

OTHER PRODUCTS



DNE-403

RANGE	6DIGIT / 99999Hr
DIAMETER	DIA Ø52
POWER	DC12~24V compatible
FEATURES	ANALOG DISPLAY

DNSW-22

POWER	DC12 or 24V
ELECTRICAL CURRENT CONSUMPTION	100A

ENGINE STOP SOLENOID SWITCH

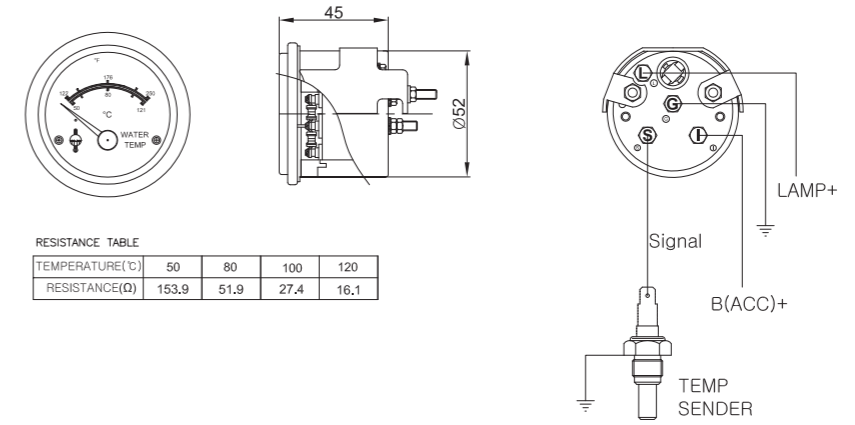


DNSW-21 / 21-DW / 21-2C / 21-2C-DW

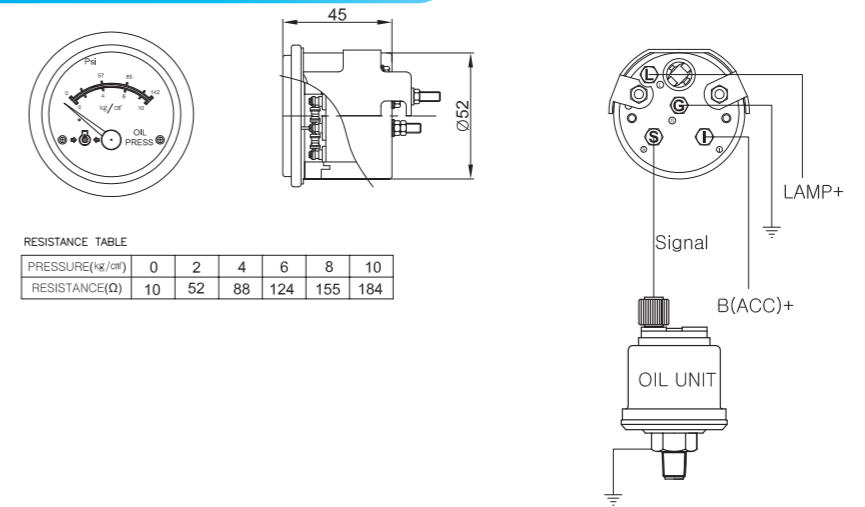
TYPE	DNSW-21 / 21-2C : SIDE MOUNT BRACKET DNSW-21-DW / 21-2C-DW : FRONT MOUNT BRACKET
POWER	DC12 or 24V
ELECTRICAL CURRENT CONSUMPTION	DNSW-21 / 21-DW : 16A DNSW-21-2C / 21-2C-DW : DUAL COIL TYPE (1st35A/2nd0.3A)
FEATURES	DNSW-21-2C / 21-2C-DW : 2POLE, +/-

Installation Guide

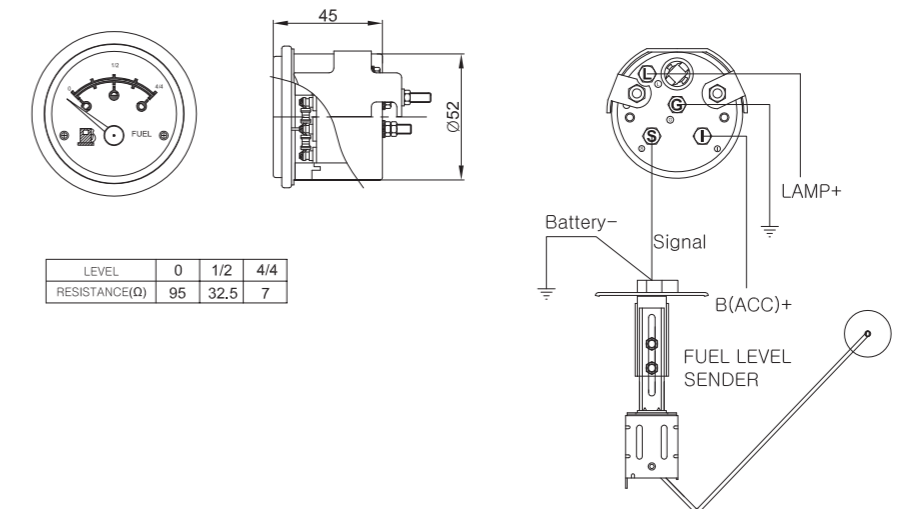
TEMP METER



OIL PRESS METER



FUEL LEVEL METER





DISTRIBUTION PANEL A



ECGB-011

SIZE W370xH490xD140

PARTS
-ANALOG VOLT METER
-ANALOG AMMETER
-OIL ALARM LAMP
-CIRCUIT BREAKER

FEATURES
30A BREAKER x 16 EA
50A BREAKER x 4 EA

DISTRIBUTION PANEL B



ECGB-012

SIZE W310xH330xD130

PARTS
-ANALOG VOLT METER
-ANALOG AMMETER
-OIL ALARM LAMP
-CIRCUIT BREAKER

FEATURES
30A BREAKER x 9EA
50A BREAKER x 3EA

CONTROL PANELS FOR FARMING MACHINE



SAMPLE-A

TYPE WIND BLOW PANEL



SAMPLE-B

TYPE WIND BLOW PANEL



SAMPLE-C

TYPE DRIVE PANEL



SAMPLE-D

TYPE DRIVE PANEL



MILITARY PRODUCTS

PRODUCT NAME	MILITARY STANDARD
OIL PRESS. GAUGE(120psi)	MS24540-2
OIL PRESS. GAUGE(60psi)	MS24541-2
FUEL LEVEL GAUGE	MS24544-2
TEMP. GAUGE (120-240F)	MS24543-2
OIL TEMP. GAUGE (160-320F)	MS24542-2
VOLTAGE GAUGE	MS24532-2

PRODUCT NAME	MILITARY STANDARD
AIR PRESS. GAUGE	7954512
PRESSURE SWITCH (60psi)	MS24538-1
PRESSURE SWITCH (120psi)	MS24539-1
PRESSURE SWITCH	11609301
FUEL LEVEL SENDER	MS500040-6
FUEL LEVEL SENDER	MS500040-9

